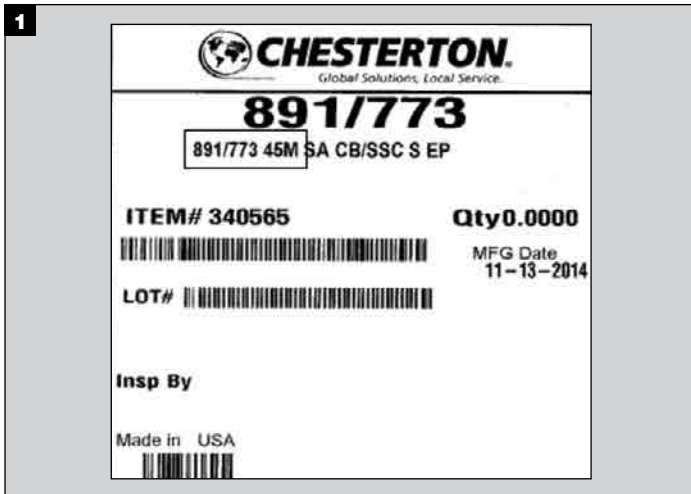
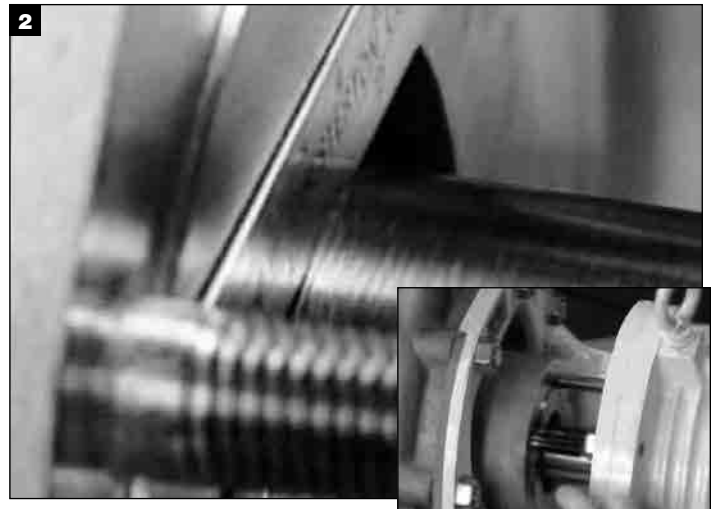


891/880 Component Seal Installation Instructions

Small Sizes 16 mm to 65 mm (.625" to 2.625")



Refer to label for component identification and shaft diameter. Determine if the rotary unit is the short version (SH = short rotary).



Refer to installation images on pages 4-5 for reference points from which you will measure the installation dimension. Spray the shaft in the area of the reference point with layout fluid and mark the point.



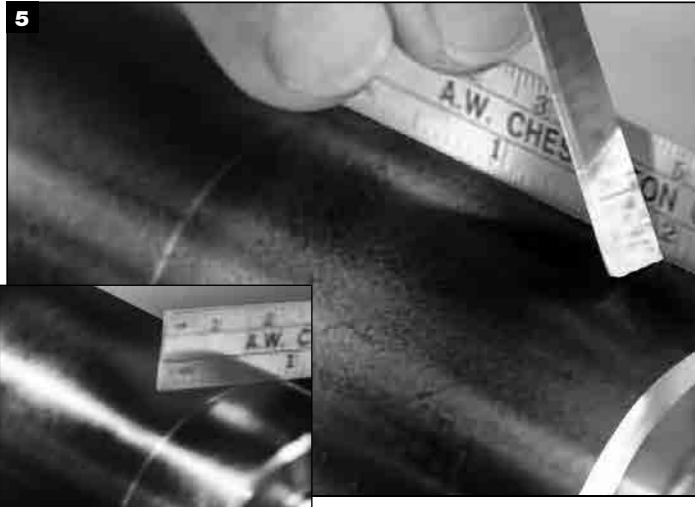
Remove the seal housing from the equipment.

891 Small – METRIC (all dimensions are in millimeters)

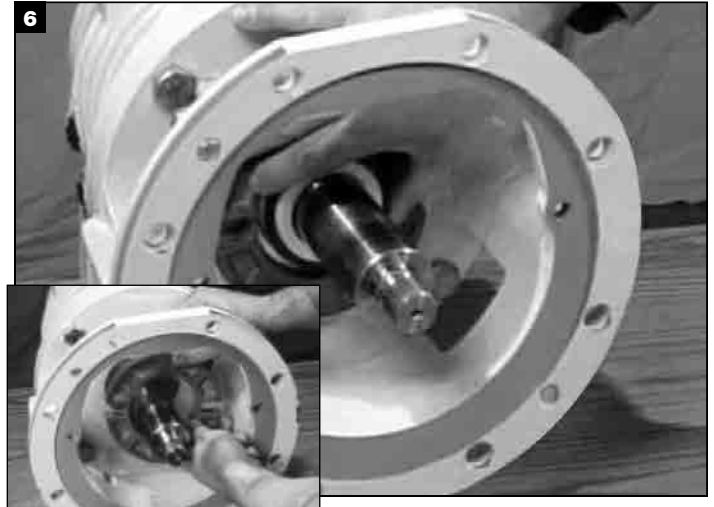
Shaft	714	719	723	777	725	755
16						
18				40.0		
20				40.0		
22				40.0		
24				40.0		
25				40.0	46.1	
28		39.7	39.7	40.0	46.1	
30			39.7	40.0		
32		49.2	49.2	48.9	55.5	
33				48.9		
35		49.2	49.2	48.9	55.5	
38		49.2	49.2	48.9	55.5	
40		49.2	49.2	48.9	56.7	

Determine dimension from tables on pages 6-7 by matching the stationary model number with the shaft diameter found on the label. Calculate installation dimension from images on page 4-5.

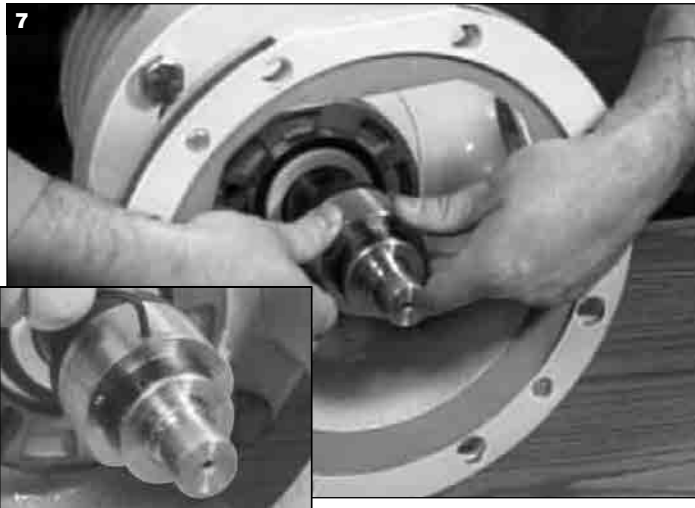
INSTALLATION INSTRUCTIONS



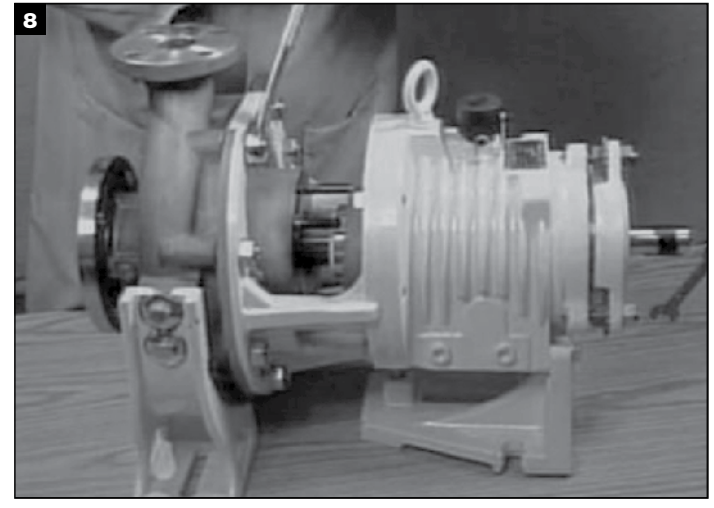
Spray layout fluid on the end of the shaft and measure and mark the installation dimension from the reference point.



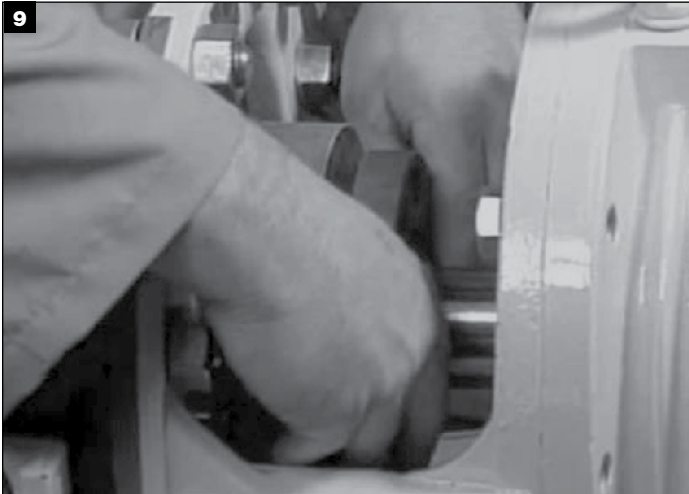
Slide the gland, then the stationary seal face over the shaft. Press fit the stationary seal face in the gland if it is O-Ring mounted.



Apply a thin film of grease to the shaft O-Ring and slide rotary unit onto shaft so that back of unit is in line with measured scribe mark. Tighten all set screws evenly.



Re-assemble the seal housing (back cover) on to the equipment.



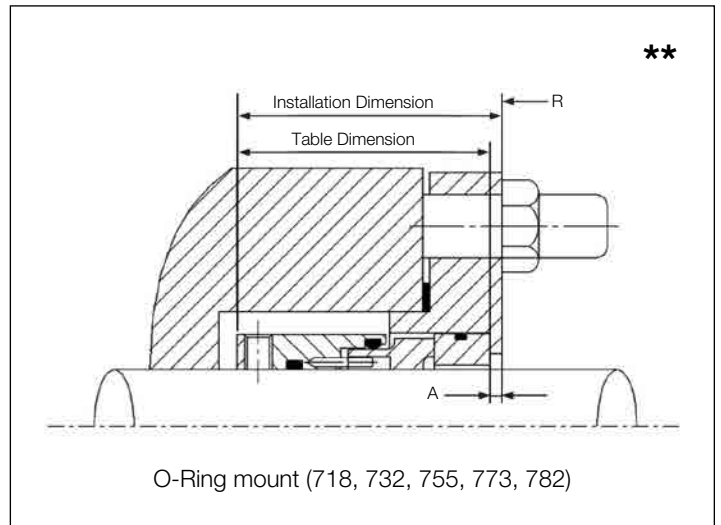
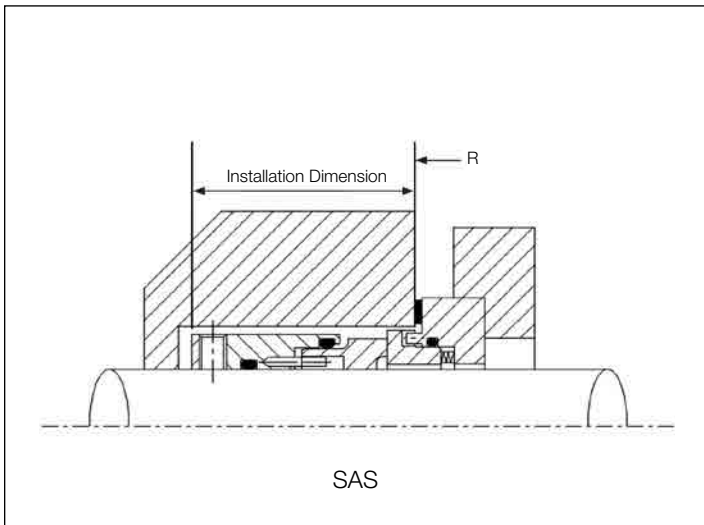
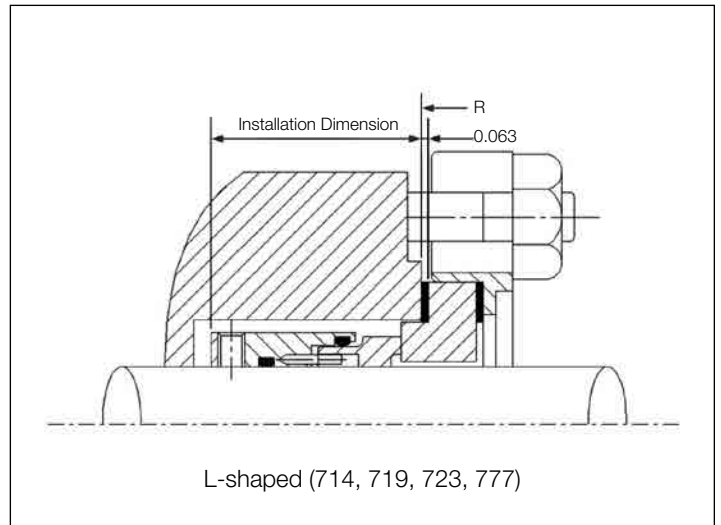
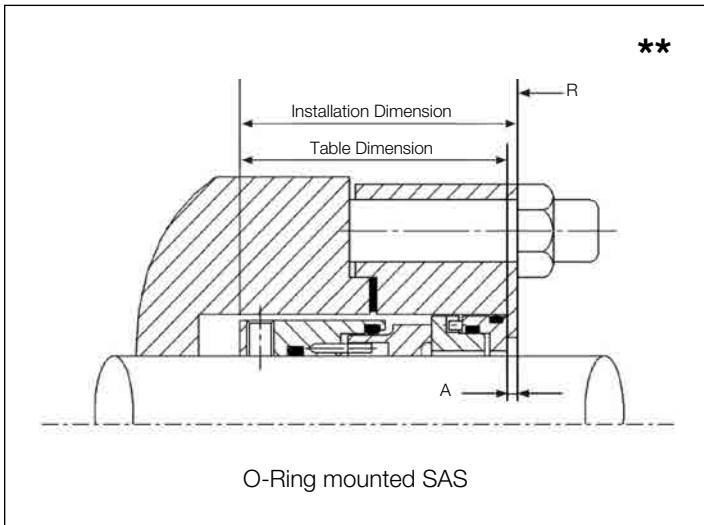
Insert stationary into gland and attach gland up to stuffing box face.

CAUTIONS

These instructions are general in nature. It is assumed that the installer is familiar with seals and certainly with the requirements of their plant for the successful use of mechanical seals. If in doubt, get assistance from someone in the plant who is familiar with seals or delay the installation until a seal representative is available. All necessary auxiliary arrangements for successful operation (heating, cooling, flushing) as well as safety devices must be employed.

These decisions are to be made by the user. The decision to use this seal or any other Chesterton seal in a particular service is the customer's responsibility. Do not touch the mechanical seal for any reason while it is operating. Lockout or uncouple the driver prior to personal contact with the seal. Do not touch the mechanical seal while it is in contact with hot or cold fluids. Ensure that all the mechanical seal materials are compatible with the process fluid. This will prevent possible personal injury.

INSTALLATION IMAGES

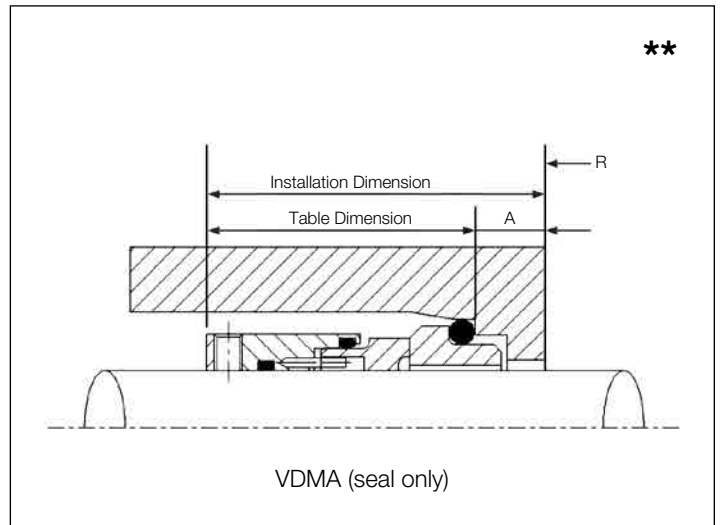
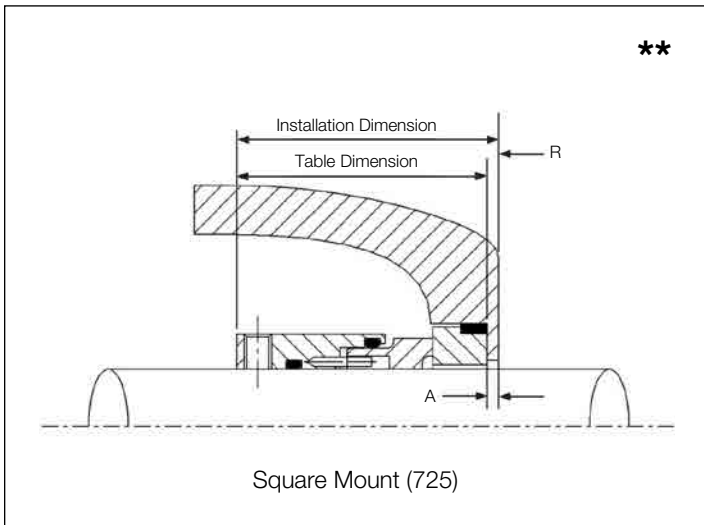
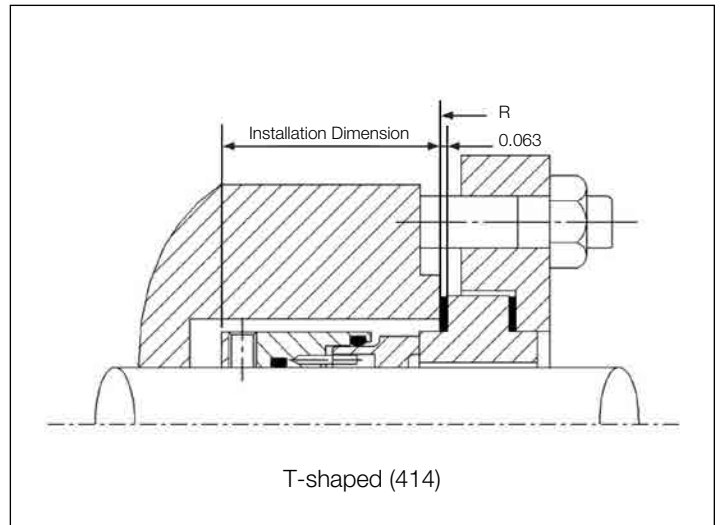
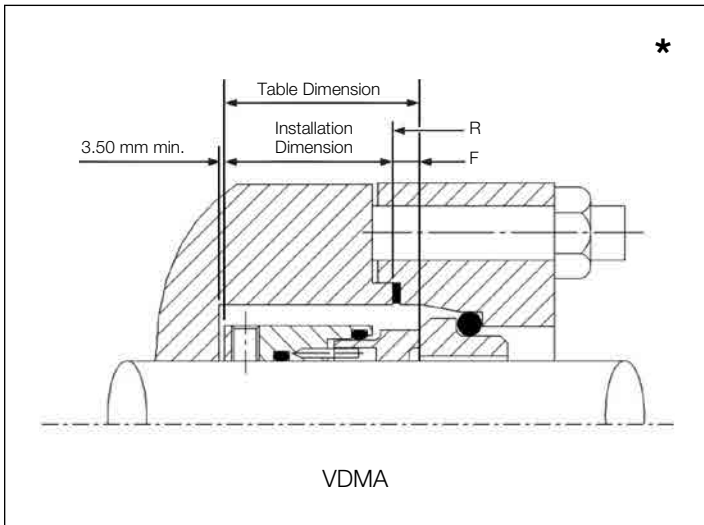


R = reference point

**Installation dimension = Table dimension + "A"

*Installation dimension = Table dimension - "F"

INSTALLATION IMAGES



R = reference point

**Installation dimension = Table dimension + "A"

*Installation dimension = Table dimension - "F"

DIMENSIONAL DATA – METRIC

891 Small – METRIC (all dimensions are in millimeters)

Shaft	714	719	723	777	725	755	718	773	732	VDMA		SAS	D	E
										Seal Only	Gland			
16													115	120
18				40.0						45	35		116	121
20				40.0				45.3	45.3	45	35		117	122
22				40.0						45	35		118	123
24				40.0						45	35		119	125
25			39.7	40.0	46.1			46.1		45	35	39.8	120	125
28		39.7	39.7	40.0	46.1			46.1	46.1	45	35	39.8	122	127
30			39.7	40.0					51.0	45	35		123	128
32		49.2	49.2	48.9	55.5			55.6	55.6	54.4	44.4	49.2	124	130
33				48.9						54.4	44.4	49.2	125	131
35		49.2	49.2	48.9	55.5			55.6	55.6	54.4	44.4	49.2	126	132
38		49.2	49.2	48.9	55.5			55.6		55.4	44.4	49.2	128	134
40		49.2	49.2	48.9	56.7			57.2	57.2	55.4	44.4	49.2	129	135
43				48.9						55.4	44.4	49.2	131	137
45			49.2	48.9	56.7			57.2		55.4	44.4	49.2	133	139
48				48.9						55.4	44.4	49.2	134	141
50		49.2	49.2	48.9	56.7		57.2	57.2		57.4	44.4	49.2	136	142
53				48.9						57.4	44.4	49.2	137	144
55		49.2	49.2	48.9	56.7		58.8	58.8		57.4	44.4	49.2	139	145
58				48.9									141	148
60		49.2	49.2	48.9	56.7	58.8	58.8	58.8	58.8	57.4	44.4	49.2	142	148
63				48.9									144	151
65	49.2	49.2	49.2	48.9	56.7			60.4	60.4	57.4	44.4	49.2	145	151

891 Short – METRIC (all dimensions are in millimeters)

32		39.7	39.7	39.5	46.1			46.1	46.1	45	35	39.8	124	130
33				39.5						45	35	39.8	125	131
35		39.7	39.7	39.5	46.1			46.1	46.1	45	35	39.8	126	132
38		39.7	39.7	39.5	46.1			46.1		46	35	39.8	128	134
40		39.7	39.7	39.5	47.3			47.7	47.7	46	35	39.8	129	135
45			39.7	39.5	47.3			47.7		46	35	39.8	133	139
50		39.7	39.7	39.5	47.3		47.7	47.7		48	35	39.8	136	142
53				39.5						48	35	39.8	137	144
55		39.7	39.7	39.5	47.3		49.3	49.3		48	35	39.8	139	145

880 Small – METRIC (all dimensions are in millimeters)

16													115	120
18				40.0						45	35		116	121
20				40.0				45.3	45.3	45	35		117	122
22				40.0						45	35		118	123
24				40.0						45	35		119	125
25			39.7	40.0	46.1			46.1		45	35	39.8	120	125
28		39.7	39.7	40.0	46.1			46.1	46.1	45	35	39.8	122	127
30			39.7	40.0					51	45	35		123	128
32		49.2	49.2	48.9	55.5			55.6	55.6	54.4	44.4	49.2	124	130
33				48.9						54.4	44.4	49.2	125	131
35		49.2	49.2	48.9	55.5			55.6	55.6	54.4	44.4	49.2	126	132
38		49.2	49.2	48.9	55.5			55.6		55.4	44.4	49.2	128	134
40		49.2	49.2	48.9	56.7			57.2	57.2	55.4	44.4	49.2	129	135
42			49.2	48.9	56.7			57.2				49.2	131	137
43				48.9						55.4	44.4	49.2	131	137
45			49.2	48.9	56.7			57.2		55.4	44.4	49.2	133	139
48				48.9						55.4	44.4	49.2	134	141
50		49.2	49.2	48.9	56.7		57.2	57.2		57.4	44.4	49.2	135	142
53				48.9						57.4	44.4	49.2	137	144
55		49.2	49.2	48.9	56.7		58.8	58.8		57.4	44.4	49.2	139	145
60		49.2	49.2	48.9	56.7	58.8	58.8	58.8	58.8	57.4	44.4	49.2	142	148
65	49.2	49.2	49.2	48.9	56.7			60.4	60.4	57.4	44.4	49.2	145	151

880 Short – METRIC (all dimensions are in millimeters)

16													115	120
32		39.7	39.7	39.5	46.1			46.1	46.1	45	35	39.8	124	130
45			39.7	39.5	47.3			47.7		46	35	39.8	133	139

D – Static O-Ring

E – Dynamic O-Ring

DIMENSIONAL DATA – INCHES

891 Small – INCH (all dimensions are in inches)

Shaft	714	719	723	725	755	718	773	782	732	ORM/ SAS	Washer Mount		414	SAS	D	E
											No ADPT	Gland				
0.625							1.78	1.78	1.78		1.31	1.06			114	120
0.750							1.78	1.78	1.78		1.31	1.06			116	122
0.875							1.78	1.78	1.78		1.31	1.06			118	124
1.000	1.56	1.56		1.81		1.82	1.82	1.82	1.82	2.01			1.56	1.57	120	126
1.125	1.56	1.56	1.56	1.81			1.82	1.82	1.82	2.01			1.56	1.57	122	128
1.250	1.94	1.94		2.19	2.19		2.19	2.19	2.19	2.38			1.94	1.94	124	130
1.375	1.94	1.94	1.94	2.19	2.19		2.19	2.19	2.19	2.38			1.94	1.94	126	132
1.500	1.94	1.94	1.94	2.19	2.19	2.19	2.19	2.19	2.19	2.38			1.94	1.94	128	134
1.625	1.94	1.94		2.24	2.25	2.25	2.25	2.25	2.25	2.38			1.94	1.94	130	136
1.750	1.94	1.94	1.94	2.24	2.25	2.25	2.25	2.25	2.25	2.38			1.94	1.94	132	138
1.875	1.94	1.94	1.94	2.24	2.25	2.25	2.25	2.25	2.25	2.38			1.94	1.94	134	140
2.000	1.94	1.94		2.24	2.25	2.25	2.25	2.25	2.25				1.94	1.94	136	142
2.125	1.94	1.94	1.94	2.24	2.32	2.32	2.32	2.32	2.32	2.38			1.94	1.94	138	144
2.250	1.94	1.94		2.24	2.32	2.32	2.32	2.32	2.32	2.38			1.94	1.94	140	146
2.375	1.94	1.94	1.94	2.24	2.32	2.32	2.32	2.32	2.32				1.94	1.94	142	148
2.500	1.94	1.94		2.24	2.32	2.32	2.32	2.32	2.32	2.38			1.94	1.94	144	150
2.625	1.94	1.94	1.94	2.24		2.38	2.38	2.38	2.38	2.38			1.94	1.94	146	151

891 Short – INCH (all dimensions are in inches)

1.250	1.56	1.56		1.81	1.82		1.82	1.82	1.82	2.01			1.56	1.57	124	130
1.375	1.56	1.56	1.56	1.81	1.82		1.82	1.82	1.82	2.01			1.56	1.57	126	132
1.500	1.56	1.56	1.56	1.81	1.82	1.82	1.82	1.82	1.82	2.01			1.56	1.57	128	134
1.625	1.56	1.56		1.86	1.88	1.88	1.88	1.88	1.88	2.01			1.56	1.57	130	136
1.750	1.56	1.56	1.56	1.86	1.88	1.88	1.88	1.88	1.88	2.01			1.56	1.57	132	138
1.875	1.56	1.56	1.56	1.86	1.88	1.88	1.88	1.88	1.88	2.01			1.56	1.57	134	140
2.000	1.56	1.56		1.86	1.88	1.88	1.88	1.88	1.88				1.56	1.57	136	142
2.125	1.56	1.56	1.56	1.86	1.94	1.94	1.94	1.94	1.94	2.01			1.56	1.57	138	144
2.250	1.56	1.56		1.86	1.94	1.94	1.94	1.94	1.94	2.01			1.56	1.57	140	146
2.500	1.56	1.56		1.86	1.94	1.94	1.94	1.94	1.94	2.01			1.56	1.57	144	150
2.625	1.56	1.56	1.56	1.86		2.00	2.00	2.00	2.00	2.01			1.56	1.57	146	151

880 Small – INCH (all dimensions are in inches)

0.625							1.78	1.78	1.78		1.31	1.06			114	120
0.750							1.78	1.78	1.78		1.31	1.06			116	122
0.875							1.78	1.78	1.78		1.31	1.06			118	124
1.000	1.56	1.56		1.81		1.82	1.82	1.82	1.82	2.01			1.56	1.57	120	126
1.125	1.56	1.56	1.56	1.81			1.82	1.82	1.82	2.01			1.56	1.57	122	128
1.250	1.94	1.94		2.19	2.19		2.19	2.19	2.19	2.38			1.94	1.94	124	130
1.375	1.94	1.94	1.94	2.19	2.19		2.19	2.19	2.19	2.38			1.94	1.94	126	132
1.500	1.94	1.94	1.94	2.19	2.19	2.19	2.19	2.19	2.19	2.38			1.94	1.94	128	134
1.625	1.94	1.94		2.24	2.25	2.25	2.25	2.25	2.25	2.38			1.94	1.94	130	136
1.750	1.94	1.94	1.94	2.24	2.25	2.25	2.25	2.25	2.25	2.38			1.94	1.94	132	138
1.875	1.94	1.94	1.94	2.24	2.25	2.25	2.25	2.25	2.25	2.38			1.94	1.94	134	140
2.000	1.94	1.94		2.24	2.25	2.25	2.25	2.25	2.25				1.94	1.94	136	142
2.125	1.94	1.94	1.94	2.24	2.32	2.32	2.32	2.32	2.32	2.38			1.94	1.94	138	144
2.250	1.94	1.94		2.24	2.32	2.32	2.32	2.32	2.32	2.38			1.94	1.94	140	146
2.375	1.94	1.94	1.94	2.24	2.32	2.32	2.32	2.32	2.32				1.94	1.94	142	148
2.500	1.94	1.94		2.24	2.32	2.32	2.32	2.32	2.32	2.38			1.94	1.94	144	150
2.625	1.94	1.94	1.94	2.24		2.38	2.38	2.38	2.38	2.38			1.94	1.94	146	151

880 Short – INCH (all dimensions are in inches)

0.625							1.78	1.78	1.78		1.31	1.06			114	120
0.750							1.78	1.78	1.78		1.31	1.06			116	122
0.875							1.78	1.78	1.78		1.31	1.06			118	124
1.000	1.56	1.56		1.81		1.82	1.82	1.82	1.82	2.01			1.56	1.57	120	126
1.125	1.56	1.56	1.56	1.81			1.82	1.82	1.82	2.01			1.56	1.57	122	128
1.250	1.56	1.56		1.81	1.82		1.82	1.82	1.82	2.01			1.56	1.57	124	130
1.375	1.56	1.56	1.56	1.81	1.82		1.82	1.82	1.82	2.01			1.56	1.57	126	132
1.500	1.56	1.56	1.56	1.81	1.82	1.82	1.82	1.82	1.82	2.01			1.56	1.57	128	134
1.625	1.56	1.56		1.86	1.88	1.88	1.88	1.88	1.88	2.01			1.56	1.57	130	136
1.750	1.56	1.56	1.56	1.86	1.88	1.88	1.88	1.88	1.88	2.01			1.56	1.57	132	138
2.000	1.56	1.56		1.86	1.88	1.88	1.88	1.88	1.88				1.56	1.57	136	142

D – Static O-Ring

E – Dynamic O-Ring

RETURNS

Returning Seals for Repair and Hazard Communication Requirements

Any mechanical seal returned to Chesterton that has been in operation, must comply with our Hazard Communication requirements. Please scan the QR Code with your mobile device or go to our web page at www.chesterton.com/Mechanical_Seal>Returns to obtain information required for returning seals for repair or seal analysis.



OPERATING LIMITS

Pressure Limits:

Depending on shaft size, speed and face combination:

891

Down to 711 mm (28") Hg vacuum

Sizes 18 mm to 30 mm up to 21 bar
($\frac{3}{4}$ " to 1 $\frac{1}{4}$ " (300 psi)

Sizes 40 mm to 110 mm up to 42 bar
(1 $\frac{3}{8}$ " to 4 $\frac{1}{2}$ " (600 psi)

Sizes 120 mm to 200 mm up to 28 bar
(4 $\frac{3}{4}$ " to 8") (400 psi)

880

Down to 711 mm (28") Hg vacuum

Sizes 18 mm to 30 mm up to 21 bar
($\frac{3}{4}$ " to 1 $\frac{1}{4}$ " (300 psi)

Sizes 40 mm to 200 mm up to 28 bar
(1 $\frac{3}{8}$ " to 8") (400 psi)

Temperature Limits:

To 205°C (400°F) with FKM.

To 150°C (300°F) with EPDM

-18°C to 260°C (0°F to 500°F) with FEPM

-30°C to 230°C (-20°F to 450°F) with FFKM



860 Salem Street
Groveland, MA 01834 USA
Telephone: 781-438-7000 Fax: 978-469-6528
www.chesterton.com

© 2015 A.W. Chesterton Company.
® Registered trademark owned and licensed by
A.W. Chesterton Company in USA and other countries.

Chesterton ISO certificates available on www.chesterton.com/corporate/iso